



- Manual or automatic lens blocker
- Lens centring (without ring) by three centring fingers
- Horizontal line up, manually or with target
- Assisted lens ejection
- Tank heating by oil bath
- Cooled plate
- Non-prismatic blocker thanks to generator and polishing system
- Filling by the top of the button
- Two independant tank possibility
- Automatisatation possibility

blocking special features

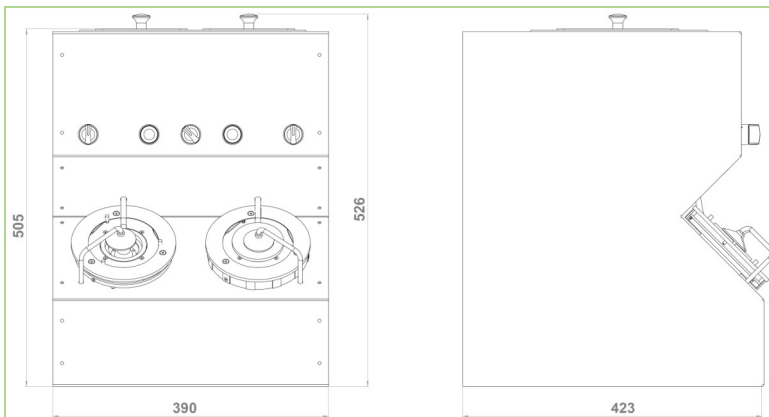
Prismatic blocking is possible but not required thanks to generator and polishing system. Indeed generator with his computing software can machine all lenses type without a specific blocking.

accessories

Optic control by camera

Optic control by target

size



blocker specification

Lens diameter max. - 95mm

Curve max. - ± 30 diopters

Lens type - unifocal, bifocal, aspheric, progressive

Lens materials - all plastics and glass

Blocking materials - alloy or other

Two independant plate

Two consumables possible

Tank volume - configuration:

- 1 tank : 4l
- 2 tanks : 2 x 2.1l

utilities

Input voltage single phase + Earth, 230V, 50Hz

Power requirement 900W

Cooled water 12°C

Weight 48kg

No compressed air required

VISI OPTIMUM

VISIOPTIMUM INTERNATIONAL SAS.

ZI. BAT LE MAGELLAN - 73 rue Victor Puiseux

39000 LONS LE SAUNIER - FRANCE

Tel : +33 (0)3 84 43 53 86

Mail : guy.monnoyeur@visioptimum.com